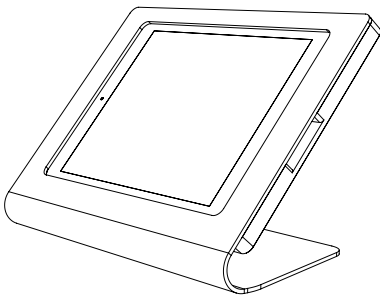


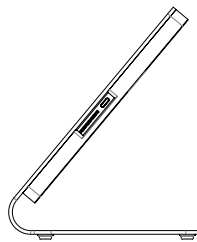


Companion is a handy tablet stand for iPad 10.2". It is made from high-grade precisely machined aluminium, with powder coated surface finishing.

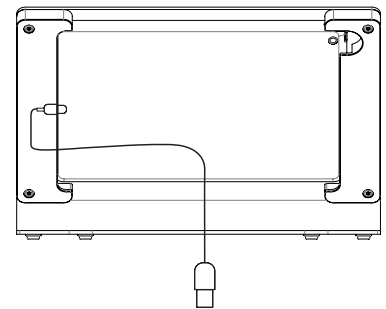
Product characteristics



comfortable display angle



iPad secured with key lock



lightning cable hidden in the casing

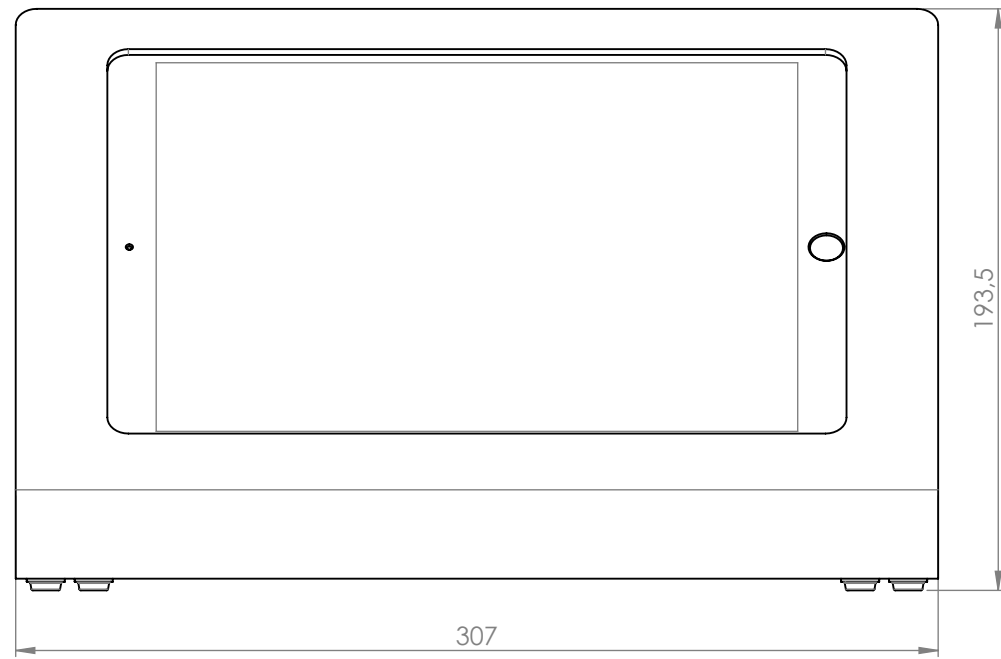
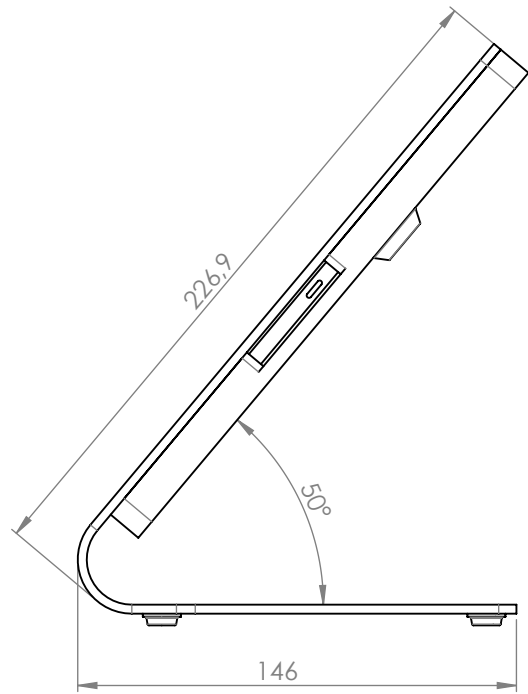
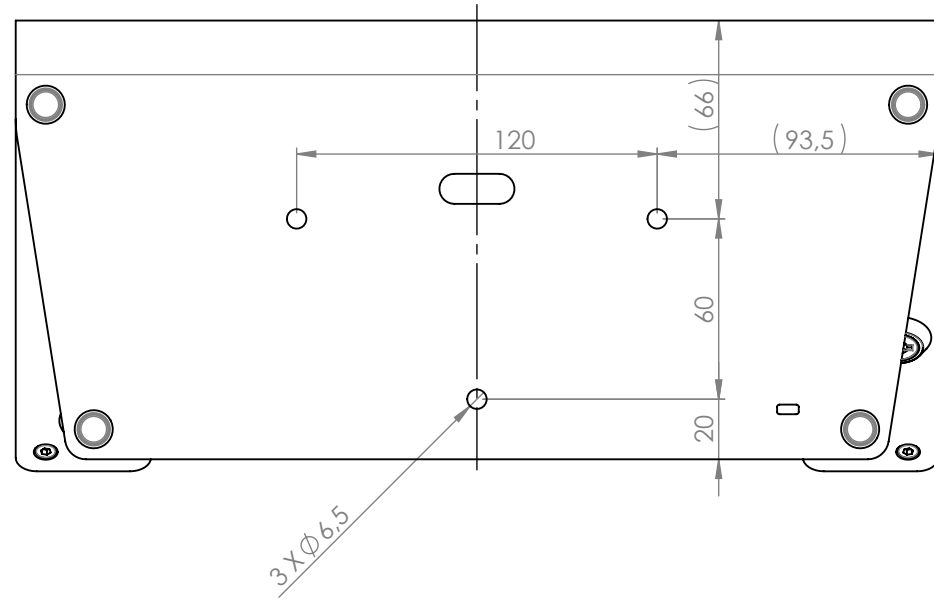


black powder coated - RAL 9005



white powder coated - RAL 9016

Companion Stand for iPad 10.2" key lock





DSP number	EAN	Product	Compatible devices	Weight <i>in kg</i>
DSP-1-20-1002-00-9	4260600742731	Companion Stand for iPad 10.2" (key lock) White Powder Coated	iPad 10.2" (7th gen.) iPad 10.2" (8th gen.)	1.33
DSP-1-20-1002-02-9	4260600742748	Companion Stand for iPad 10.2" (key lock) Black Powder Coated	iPad 10.2" (7th gen.) iPad 10.2" (8th gen.)	1.33

Displine GmbH
Mainzer Straße 97
65189 Wiesbaden

Contact
Piotr Stanczyk
tel.: +49 151 27 23 71 52
e-mail: info@displine.com