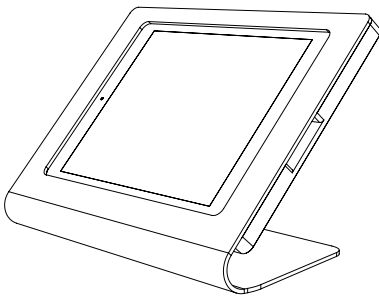


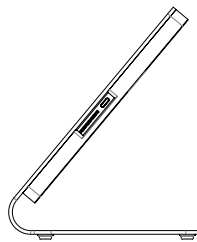


Companion is a handy tablet stand for Samsung Tab A7. It is made from high-grade precisely machined aluminium, with powder coated surface finishing.

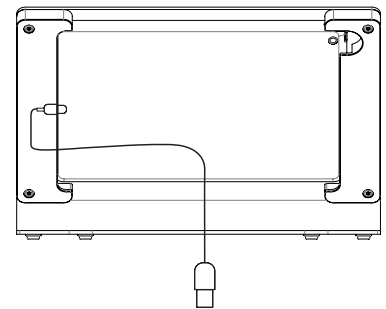
Product characteristics



comfortable display angle



Tab secured with a allen bolt



charging cable hidden in the casing

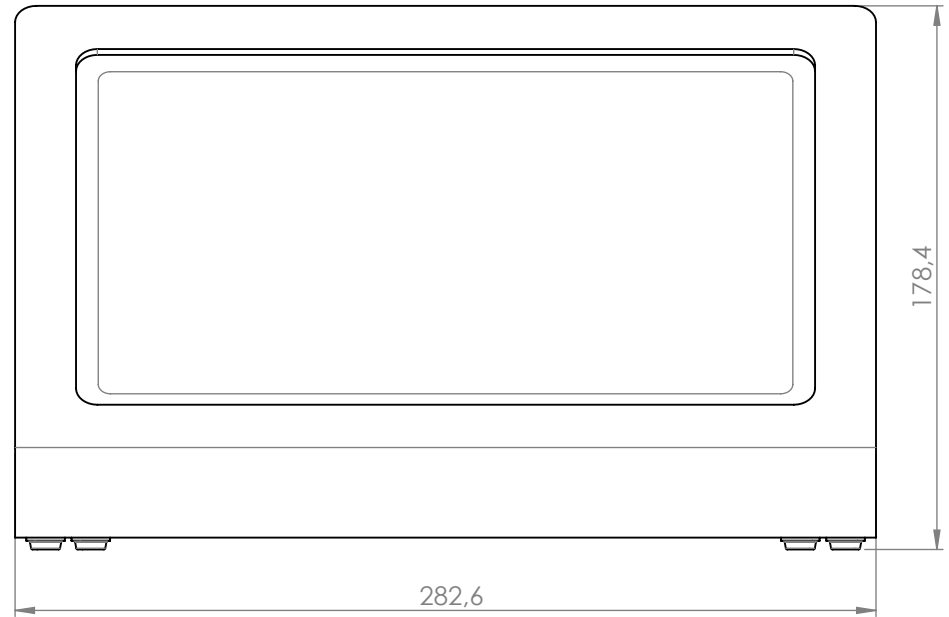
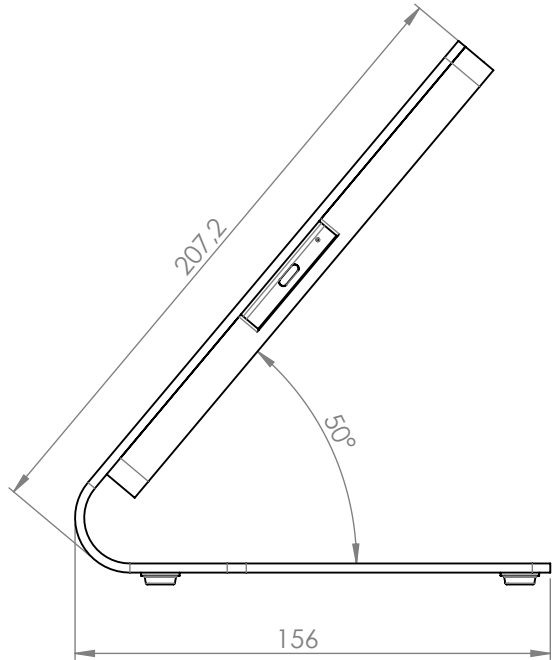
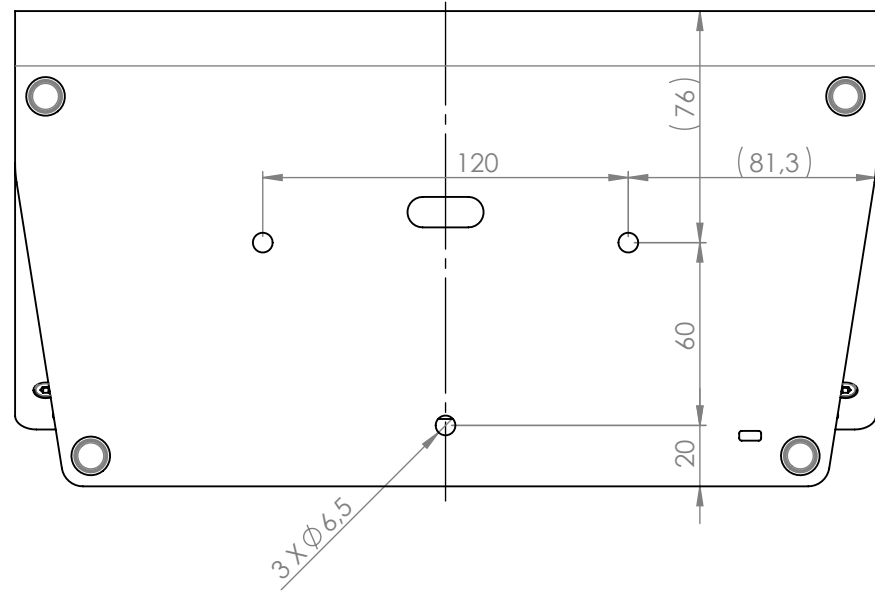


black powder coated - RAL 9005



white powder coated - RAL 9016

Companion Stand for Samsung Galaxy Tab A7 10.4 (T-500) allen bolt





DSP number	EAN	Product	Compatible devices	Weight <i>in kg</i>
DSP-1-20-3104-00	4260600743288	Companion Stand for Samsung Tab A7 10.4" White Powder Coated	Samsung Galaxy Tab A7 T500 10.4" (model 2020)	1.23
DSP-1-20-3104-02	4260600743295	Companion Stand for Samsung Tab A7 10.4" Black Powder Coated	Samsung Galaxy Tab A7 T500 10.4" (model 2020)	1.23

Displine GmbH
Mainzer Straße 97
65189 Wiesbaden

Contact
Piotr Stanczyk
tel.: +49 151 27 23 71 52
e-mail: info@displine.com